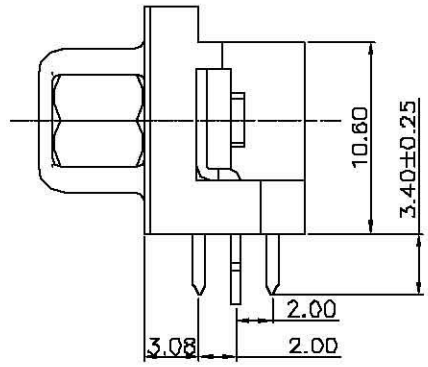
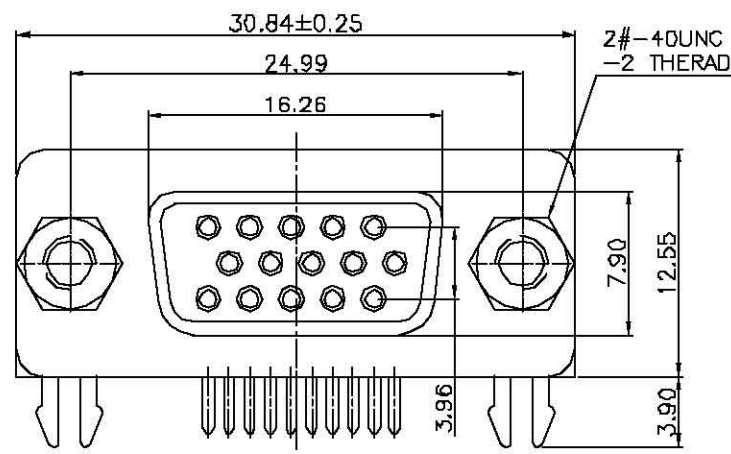
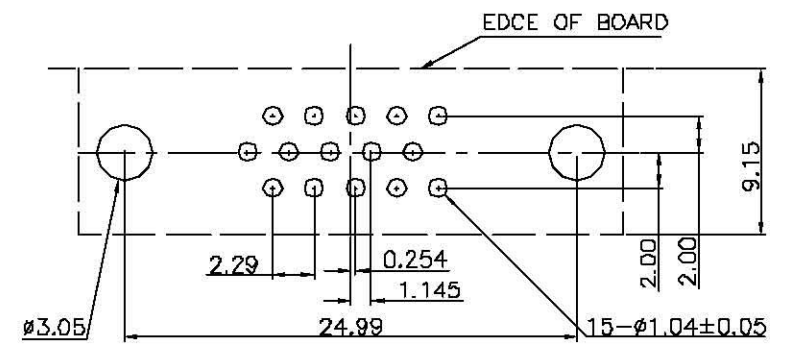
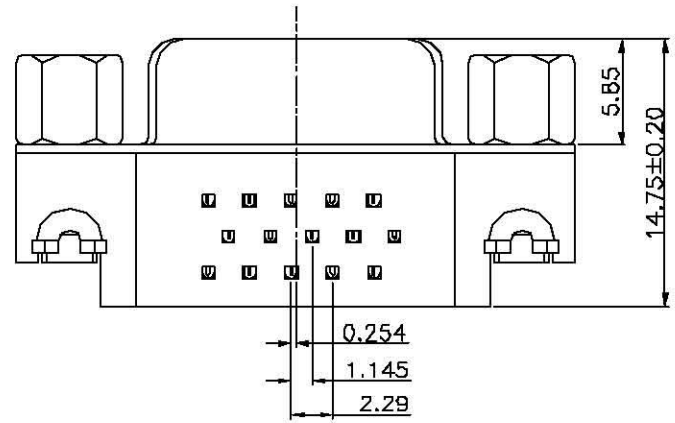


REV	ECN NO:	B Y	DATE
1	NEW-DWG		



NOTE
 MECHANICAL
 INSERTION FORCE: 340 GRAMS MAX PER CONTACT PAIR.
 WITHDRAWAL FORCE: 21 GRAMS MIN PER CONTACT PAIR
 CURRENT RATING: 3A;
 CONTACT RESISTANCE: 25mΩ MAX.
 INSULATION RESISTANCE:1000MΩ MIN,AT DC 500V.
 DIELECTRIC WITHSTANDING VOLTAGE:AC 1000/60sec.R.M.S.
 PART NO. DESCRIPTION:10415F01B-G44

Color: B:Blue U:White
 Y:Yellow K:Black
 J:Green R:Red
 1.CLOCK NUT TYPE
 2.NOT CLOCK NUT TYPE



RECOMMENDED P.C.B. LAYOUT

-TOLERANCES-		GC Electronic Co.,LTD.			
UNLESS OTHERWISE SPECIFIED			TITLE: HOR 15P/F(3.08) 鍍鎖式成品		
XX ±0.30	XX' ±3'	APPD:	PRODUCT NO: 10415F01B-G44		
XXX ±0.15	XXX' ±1'	CHECK:	DATE	SCALE	UNIT TYPE PAGE
X.XXX ±0.10	X.XXX' ±0.5'	DRAW:	DATE	MM	Z 1