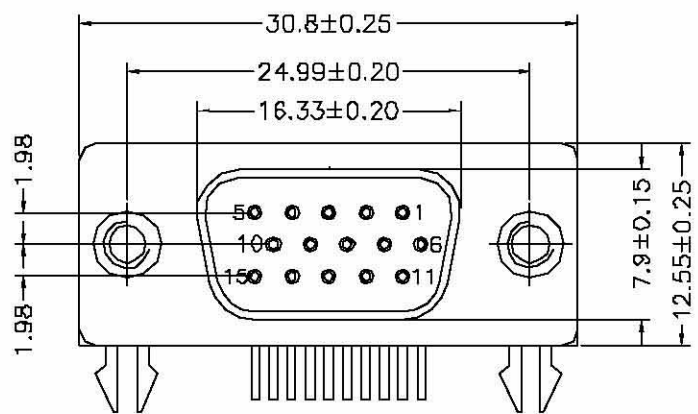
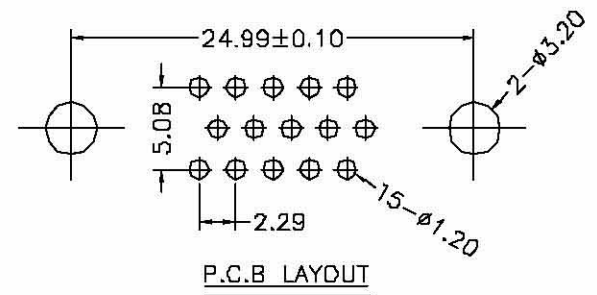
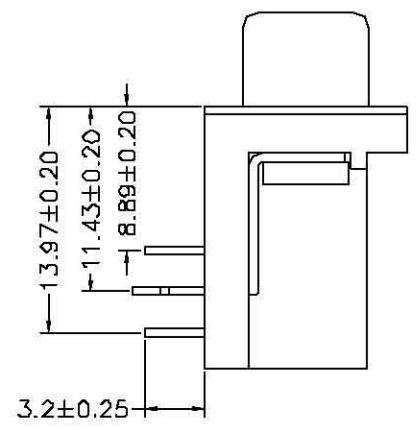
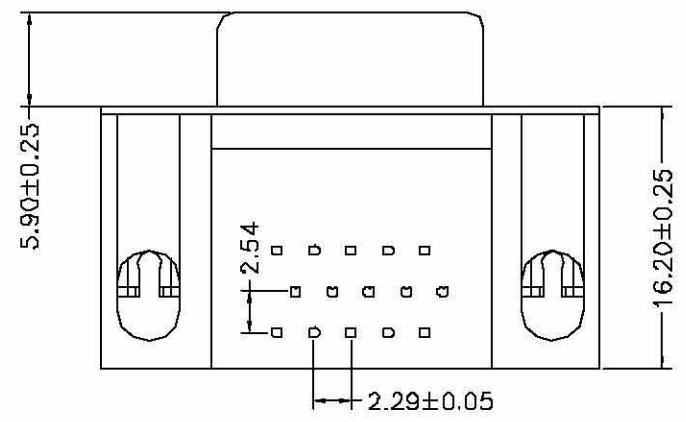


REV	ECN NO:	B Y	DATE
AO	NEW DRAW.		



1. MATERIALS  
 INSULATOR: PBT+30%GLASS FIBER UL94V-0  
 CONTACT: PHOSPHOR BRONZE OR BRASS  
 CONTACT PLATED: GOLD FLASH  
 SHELL: STEEL, NICKEL PLATED
2. SPECIFICATION:  
 CURRENT RATE: 3 AMPS  
 WITHSTANDING VOLTAGE: AC 1250V NMS  
 INSULATOR RESISTANCE: 5000 MEGOHMS MIN AT 50VDC  
 CONTACT RESISTANCE : 25MILIOHMS MAX  
 OPERATING TEMPERATURE: -55°C TO +105°C  
 CONTACT INSERTION FORCE: 300gf Max  
 CONTACT SEPARATION FORCE: 25gf Min
4. PART NO. Description:  
 10415F02x-G04

Color: B:Blue U:White  
 Y:Yellow K:Black  
 J:Green R:Red



-TOLERANCES- UNLESS OTHERWISE SPECIFIED		GC ELECTRONIC CO.,LTD.							
				TITLE: HDR 15/F 8.89成品					
X.X	±0.30	X.X'	±3°	APPD:	PRODUCT NO: 10415F02x-G04				
X.XX	±0.15	X.XX'	±1°	CHECK:	DATE	SCALE	UNIT	TYPE	PAGE
X.XXX	±0.10	X.XXX'	±0.5°	DRAW:	2006.03.20	FREE	MM	Z	1